

ASCII to OPC UA

FEATURES

- Parse ASCII/HEX data in up to 50 segments by delimiter or offset
- Concatenate up to 50 data segments into a string
- Fully configurable OPC UA server
- Up to 10 read and write groups with up to 200 nodes per group
- Effortless Browser Based Configuration, no programming software is required
- Simple data translation allows you to manipulate data as it passes between protocols
- 5-Year Hardware Warranty

Connect Serial ASCII devices to an OPC UA Client

The 460AUS moves data between a serial ASCII device and up to three OPC UA clients using Wi-Fi IEEE 802.11 b/g/n at 2.4GHz with AES encryption 128-bit. Best of all, the product is made in the USA and comes with a 5-year warranty.

How Do I Use the 460AUS-N2EW in My Application?

Incoming and outgoing ASCII data messages are parsed into data segments and given a data type. Those values are then mapped into OPC UA data objects. It's really that simple to convert data to the information systems you need to monitor your application.

Why Use Real Time Automation as a Gateway Supplier?

While there are certainly other companies offering protocol gateways, there is no one who provides the level of support and service that you receive from RTA.

When you call, a live person answers the phone. When you talk with sales, you will get honest answers and recommendations. When you get support, it is from an engineer who had a hand in the product's development, and support doesn't require a ticket or 24-hour wait.



Scanners, Printers,
and ASCII Devices

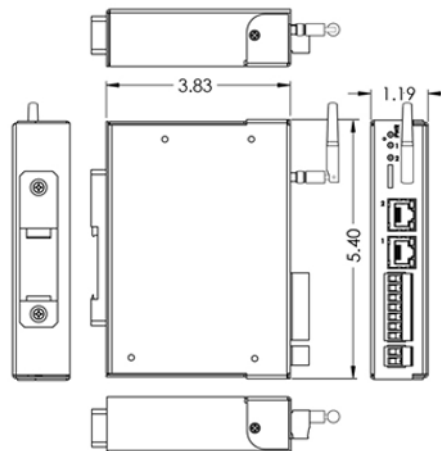
460AUS-N2EW

Client

A Solution, A Philosophy, the RTA Way. We understand the long hours spent on a factory floor and the pressure to keep a line running and product flowing. That's how Real Time Automation came to be. You want easy-to-use solutions where the hardest part is to open the box. You need customer support second to none. If you get all that and a fun customer experience all the better. Thirty years later, our mission remains the same: **To move your data where you need it, when you need it, and how you need it.**

ASCII FEATURES	
Operation Mode	Bidirectional ASCII Transmit and Receive
Maximum Number of Devices Supported	1
Concatenation	Concatenate up to 50 segments data in a delimited ASCII sting
Maximum Number of ASCII Characters Transferred	1024 in each direction
Delimiter Processing	Incoming delimiters can be automatically removed; Outgoing delimiters automatically added if configured
Parsing	Parse string of ASCII data in up to 50 segments by delimiter or offset
OPCUA SERVER FEATURES	
Operation Mode	OPC UA Server
Simultaneous Connections Supported	3
Max number of Input Nodes per Node Type	200
Max number of Output Nodes per Node Type	200
Array Support	Boolean, 64 Bit Integer, 64 Bit Unsigned Int and 64 bit Float
Profiles Supported	UA 1.03 Micro Embedded Server and Data Access
INCLUDED WITH GATEWAY	
3' power cable with flying leads	5-year hardware warranty
IPSetup software – automatically locates RTA gateway on the network	Unlimited firmware feature upgrades for life
CAT5 crossover cable for direct connection to PC during programming	Complete, unlimited access to our industry leading support staff
Manual	

ELECTRICAL / ENVIRONMENTAL	
DC Input Voltage	12-24 VDC
Maximum Baud Rate	115K baud
Operating Temperature	-40 C to 85 C
Certification	RoHS-Compliant, UL, CUL, CE Approvals, Class I Div 2
ENCLOSURE / HARDWARE	
Size	5.40" x 3.83" x 1.19"
Weight	7.6 oz
Enclosure Type	Anodized Aluminum
Mounting	Din rail or panel mount
LEDs	Power LED & 2 general purpose LEDs on side
GATEWAY FEATURES & FUNCTIONS	
Alarming	Set <, <=, >, >=, ==, !=, and change-of-state rules on any data moving through the gateway. If alarm rule is triggered an email notification can be sent.
Gateway Security	You can configure up to 9 different users access to diagnostic and configuration screens.
Translation Table	Allows for data manipulation during protocol translation. Scaling and other data format changes can occur in the gateway.
Status and Counters	Protocol specific status, counters, and error messages are accessible within the gateway's diagnostics page. They can also be delivered to a connected device.
Diagnostic Logging Page	Allows users to see and log start up sequences, protocol specific messages & error messages.



NOT EXACTLY WHAT YOU WERE LOOKING FOR?
 Real Time Automation offers a full line of gateway products. Give us a call at 1-800-249-1612. Or, check out a listing at www.rtautomation.com/products. We also offer customizations for unique applications.

CATALOG #	DESCRIPTION
460AUS-N2EW	Connects up to three OPC UA clients up to two ASCII devices



ALWAYS IN STOCK



READY TO SHIP



MADE IN THE USA



EXPERT SUPPORT



5-YEAR WARRANTY



EMPLOYEE OWNED