

Wirelessly Interconnect Your BACnet MS/TP Devices

FEATURES

- Fully configurable BACnet MS/TP responder
- BACnet MS/TP supports device, binary I/O, analog I/O, and character string value object types

Exchange Data on Your BACnet MS/TP Network

The 460BMS can exchange data between all your BACnet MS/TP devices using BACnet token passing.

Best of all, the product is made in the USA, always in stock, and comes with a five-year warranty.

How Do I Use the 460BMS-N2EW in My Application?

Use data manipulation to modify your data as you transfer it between devices. The manipulation fields allow up to three operations.

It really is that simple.

Why Use Real Time Automation as a Gateway Supplier?

While there are certainly other companies offering protocol gateways, there is no one who provides the level of support and service that you receive from RTA.

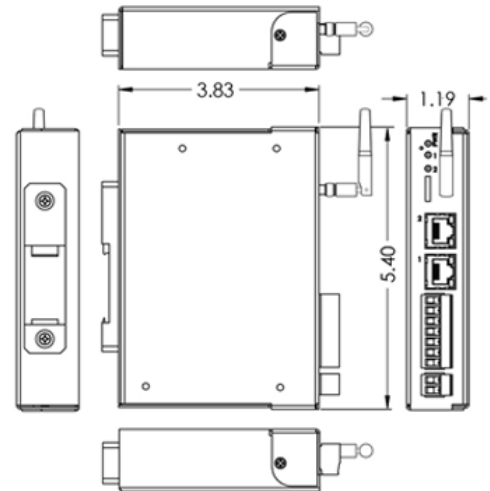
When you call, a live person answers the phone. When you talk with sales, you will get honest answers and recommendations. When you get support, it is from an engineer who had a hand in the product's development, and support doesn't require a ticket or 24-hour wait.



A Solution, A Philosophy, the RTA Way. We understand the long hours spent on a factory floor and the pressure to keep a line running and product flowing. That's how Real Time Automation came to be. You want easy-to-use solutions where the hardest part is to open the box. You need customer support second to none. If you get all that and a fun customer experience all the better. Thirty years later, our mission remains the same: **To move your data where you need it, when you need it, and how you need it.**

BACnet MS/TP Slave	
Operation Mode	BACnet MS/TP Master Responder
Supported Object Types	Device, Binary I/O, Analog I/O, Character String Value
Supported Service Codes	Read & Read Multiple-B, Write & Write Multiple-B, COV & COV unsolicited-B, Device Dynamic Binding-B, Dynamic Object Binding-B
Maximum Connections	1
Analog Objects Supported	1200 Input and 1200 Output
Binary Objects Supported	1600 Input and 1600 Output

ELECTRICAL / ENVIRONMENTAL	
DC Input Voltage	12-24 VDC
Maximum Baud Rate	115K baud
Operating Temperature	-40 C to 85 C
Certification	RoHS-Compliant, UL, CUL, CE Approvals, Class I Div 2
ENCLOSURE / HARDWARE	
Size	5.40" x 3.83" x 1.19"
Weight	7.6 oz
Enclosure Type	Anodized Aluminum
Mounting	Din rail or panel mount
LEDs	Power LED & 2 general purpose LEDs on side
INCLUDED WITH GATEWAY	
3' Power Cable with Flying leads	Manual
Complete, Unlimited Access to our Industry Leading Support Staff.	5 Year Hardware Warranty
IPSetup software – Automatically locates RTA Gateway on the network	Unlimited Firmware Feature Upgrades for Life
CAT5 Cross over cable for direct connection to PC during programming	



NOT EXACTLY WHAT YOU WERE LOOKING FOR?
 Real Time Automation offers a full line of gateway products. Give us a call at 1-800-249-1612. Or, check out a listing at www.rtautomation.com/products. We also offer customizations for unique applications.

CATALOG #	DESCRIPTION
460BMS-N2EW	Exchange data on your BACnet MS/TP network



Made in the
U.S.A. 

Always In
Stock 

Ready to
Ship 

Expert
Support 