

EtherNet/IP to BACnet/IP Client with Wi-Fi

FEATURES

- Fully configurable EtherNet/IP scanner
- Map data from up to 32 EtherNet/IP adapters
- Fully configurable BACnet/IP server
- BACnet/IP supports device, binary I/O, analog I/O, and character string value object types
- Effortless Browser Based Configuration, no programming software is required
- Simple data translation allows you to manipulate data as it passes between protocols
- 5-Year Hardware Warranty

Connect EtherNet/IP Adapter Devices to a BACnet/IP Client Wirelessly

The 460ECBS moves data between a BACnet/IP client device and an EtherNet/IP network of up to 32 adapter devices using Wi-Fi IEEE 802.11 b/g/n at 2.4GHz with AES encryption 128-bit. It's the perfect tool to tie in all of your EtherNet/IP devices into your BACnet/IP building automation system.

Bridge your factory automation systems with your building automation systems.

How Do I Use the 460ECBS-N2EW in My Application?

Up to 496 of data from your EtherNet/IP adapters will be mapped into your BACnet/IP client as BACnet/IP data. When writing from BACnet/IP to EtherNet/IP, up to 496 bytes of BACnet/IP data will be mapped to up to 32 EtherNet/IP adapters as EtherNet/IP data.

It's really that simple. Need to modify your data as it passes from one protocol to the other? No problem. Each data mapping you apply can be modified with up to three mathematic functions. Add 4 to a value, multiply by 4 and divide by 10 with ease.

Why Use Real Time Automation as a Gateway Supplier?

While there are certainly other companies offering protocol gateways, there is no one who provides the level of support and service that you receive from RTA.

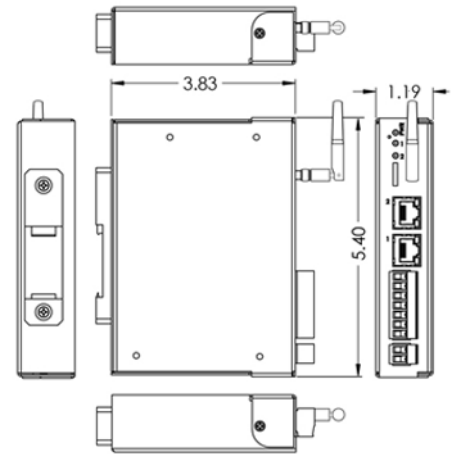
When you call, a live person answers the phone. When you talk with sales, you will get honest answers and recommendations. When you get support, it is from an engineer who had a hand in the product's development, and support doesn't require a ticket or 24-hour wait.



A Solution, A Philosophy, the RTA Way. We understand the long hours spent on a factory floor and the pressure to keep a line running and product flowing. That's how Real Time Automation came to be. You want easy-to-use solutions where the hardest part is to open the box. You need customer support second to none. If you get all that and a fun customer experience all the better. Thirty years later, our mission remains the same: **To move your data where you need it, when you need it, and how you need it.**

ETHERNET/IP SCANNER FEATURES	
Operation Mode	Class 1 I/O Scanner
Message Support	Implicit Class 1 Cyclic I/O, Explicit not supported
Data Types	BIT8,16 & 32; INT8, 16, 32 & 64; UINT8,16, 32 & 64; Float & Double
Maximum EtherNet/IP Adapter Devices	32
Max Data Per Adapter Connection	Up to 496 bytes in each direction
Maximum IO Scan Rate	50 msec
BACNET IP SERVER FEATURES	
Operation Mode	BACnet/IP Server
Supported Object Types	Device, Binary I/O, Analog I/O, Character String Value
Supported Service Codes	Read & Read Multiple-B, Write & Write Multiple-B, COV & COV unsolicited-B, Device Dynamic Binding-B, Dynamic Object Binding-B
Maximum COV Subscriptions	2800
Analog Objects Supported	1200 Input and 1200 Output
Binary Objects Supported	1600 Input and 1600 Output
INCLUDED WITH GATEWAY	
3' power cable with flying leads	5-year hardware warranty
IPSetup software – automatically locates RTA gateway on the network	Unlimited firmware feature upgrades for life
CAT5 crossover cable for direct connection to PC during programming	Complete, unlimited access to our industry leading support staff
Manual	

ELECTRICAL / ENVIRONMENTAL	
DC Input Voltage	12-24 VDC
Maximum Baud Rate	115K baud
Operating Temperature	-40 C to 85 C
Certification	RoHS-Compliant, UL, CUL, CE Approvals, Class I Div 2
ENCLOSURE / HARDWARE	
Size	5.40" x 3.83" x 1.19"
Weight	7.6 oz
Enclosure Type	Anodized Aluminum
Mounting	Din rail or panel mount
LEDs	Power LED & 2 general purpose LEDs on side
GATEWAY FEATURES & FUNCTIONS	
Alarming	Set <, <=, >, >=, ==, !=, and change-of-state rules on any data moving through the gateway. If alarm rule is triggered an email notification can be sent.
Gateway Security	You can configure up to 9 different users access to diagnostic and configuration screens.
Translation Table	Allows for data manipulation during protocol translation. Scaling and other data format changes can occur in the gateway.
Status and Counters	Protocol specific status, counters, and error messages are accessible within the gateway's diagnostics page. They can also be delivered to a connected device.
Diagnostic Logging Page	Allows users to see and log start up sequences, protocol specific messages & error messages.



NOT EXACTLY WHAT YOU WERE LOOKING FOR?
 Real Time Automation offers a full line of gateway products. Give us a call at 1-800-249-1612. Or, check out a listing at www.rtautomation.com/products. We also offer customizations for unique applications.

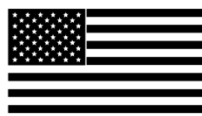
CATALOG #	DESCRIPTION
460ECBS-N2EW	Connects up to 32 EtherNet/IP adapters with a BACnet/IP client



ALWAYS IN STOCK



READY TO SHIP



MADE IN THE USA



EXPERT SUPPORT



5-YEAR WARRANTY



EMPLOYEE OWNED