

EtherNet/IP to Modbus RTU Slave with Wi-Fi

FEATURES

- Fully Configurable EtherNet/IP Scanner
- Map Data from up to 32 EtherNet/IP Adapters
- Fully configurable Modbus RTU Slave
- Move up to 100 Groups of 512 Contiguous Coils or 512 Contiguous Registers to or from your Modbus RTU Master
- Effortless Browser Based Configuration, no programming software is required
- Simple data translation allows you to manipulate data as it passes between protocols
- Guaranteed Stock
- 5-Year Hardware Warranty

Connect EtherNet/IP Adapter Devices to a Modbus RTU Master Wirelessly

The 460ECMRS moves data between up to 32 EtherNet/IP and a Modbus RTU controller. You now have a great tool to integrate newer EtherNet/IP devices into legacy Modbus RTU systems.

Perfect for interfacing to legacy Modbus controller and a great way to utilize a low cost Modbus logging solution on your EtherNet/IP devices.

How do I use the 460ECMRS-N2EW in my application?

Up to 496 bytes of EtherNet/IP data can be mapped in each direction from up to 32 devices. Once the data is manually entered for each EtherNet/IP connection the data is automatically mapped by the gateway to Modbus RTU.

It really is that simple.

Why Use Real Time Automation as a Gateway Supplier?

While there are certainly other companies offering protocol gateways, there is no one who provides the level of support and service that you receive from RTA.

When you call, a live person answers the phone. When you talk with sales, you will get honest answers and recommendations. When you get support, it is from an engineer who had a hand in the product's development, and support doesn't require a ticket or 24-hour wait.

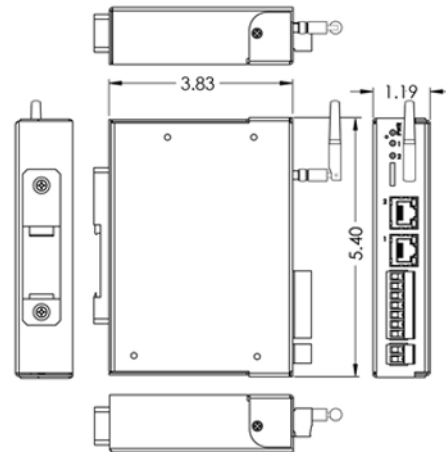
Try the RTA difference today! Call us at 800-249-1612 or check out our solutions at rtautomation.com



A Solution, A Philosophy, the RTA Way. We understand the long hours spent on a factory floor and the pressure to keep a line running and product flowing. That's how Real Time Automation came to be. You want easy-to-use solutions where the hardest part is to open the box. You need customer support second to none. If you get all that and a fun customer experience, all the better. Thirty years later, our mission remains the same: **to move your data where you need it, when you need it and how you need it.**

EtherNet/IP Scanner FEATURES	
Operation Mode	Class 1 I/O Scanner
Message Support	1
Data Types	BIT8,16 & 32; INT8, 16, 32 & 64; UINT8,16, 32 & 64; Float & Double
Maximum EtherNet/IP Adapter Devices	32
Max Data Per Adapter Connection	Up to 496 bytes in each direction
Maximum IO Scan Rate	20 msec
Modbus RTU Slave FEATURES	
Operation Mode	Modbus RTU Slave
Function Codes Supported	1,2,3,4,5,6, 15 & 16
Swapping	Byte and Word Swapping
Maximum Modbus RTU Master Connections	1
Contiguous Data Areas	200 Total - 100 reads & 100 writes
Data Area Limits	512 Contiguous Coils or 512 Contiguous Registers
INCLUDED WITH GATEWAY	
3' power cable with flying leads	5-year hardware warranty
IPSetup software – automatically locates RTA gateway on the network	Unlimited firmware feature upgrades for life
CAT5 crossover cable for direct connection to PC during programming	Complete, unlimited access to our industry leading support staff
Manual	

ELECTRICAL / ENVIRONMENTAL	
DC Input Voltage	12-24 VDC
Maximum Baud Rate	115K baud
Operating Temperature	-40 C to 85 C
Certification	RoHS-Compliant, UL, CUL, CE Approvals, Class I Div 2
ENCLOSURE / HARDWARE	
Size	5.40" x 3.83" x 1.19"
Weight	7.6 oz
Enclosure Type	Anodized Aluminum
Mounting	Din rail or panel mount
LEDs	Power LED & 2 general purpose LEDs on side
GATEWAY FEATURES & FUNCTIONS	
Alarming	Set <, <=, >, >=, ==, !=, and change-of-state rules on any data moving through the gateway. If alarm rule is triggered an email notification can be sent.
Gateway Security	You can configure up to 9 different users access to diagnostic and configuration screens.
Translation Table	Allows for data manipulation during protocol translation. Scaling and other data format changes can occur in the gateway.
Status and Counters	Protocol specific status, counters, and error messages are accessible within the gateway's diagnostics page. They can also be delivered to a connected device.
Diagnostic Logging Page	Allows users to see and log start up sequences, protocol specific messages & error messages.



NOT EXACTLY WHAT YOU WERE LOOKING FOR?
 Real Time Automation offers a full line of gateway products. Give us a call at 1-800-249-1612. Or, check out a listing at www.rtautomation.com/products. We also offer customizations for unique applications.

CATALOG #	DESCRIPTION
460ECMRS-N2EW	Connects up to 32 EtherNet/IP adapters with a Modbus RTU master



Made in the
U.S.A.

Always In
Stock

Ready to
Ship

Expert
Support