

## Allen-Bradley PLC to MQTT

### FEATURES

- Supports connection to five Allen-Bradley PLCs
- Up to 150 tag or file arrays of data can be mapped in each direction
- Bring your factory data to the cloud
- Support for MQTT, AWS and Azure
- Effortless Browser Based Configuration, no programming software is required
- Simple data translation allows you to manipulate data as it passes between protocols
- Guaranteed Stock
- 5-Year Hardware Warranty

### Connect Five A-B PLCs to MQTT

The 460ETCQT moves data between up to five Allen-Bradley PLCs and an MQTT application, AWS or Azure. Use the data to easily log data, build a dashboard or create a sophisticated alarm system.

Best of all, the product is made in the USA, always in stock, and comes with 5-year warranty.

### How Do I Use the 460ETCQT-NNA1 in My Application?

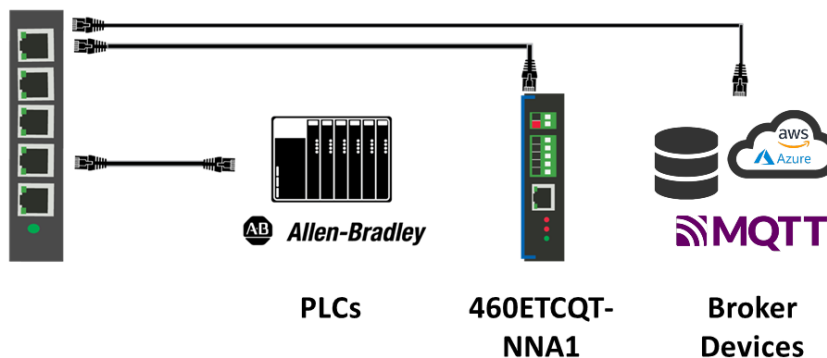
Tag or file data from the data table of your PLC is mapped directly to topics in an MQTT broker. Access the PLC data with no alteration to the PLC program.

SSL transport layer security protects the data moving from your operations network to the cloud.

### Why Use Real Time Automation as a Gateway Supplier?

While there are certainly other companies offering protocol gateways, there is no one who provides the level of support and service that you receive from RTA.

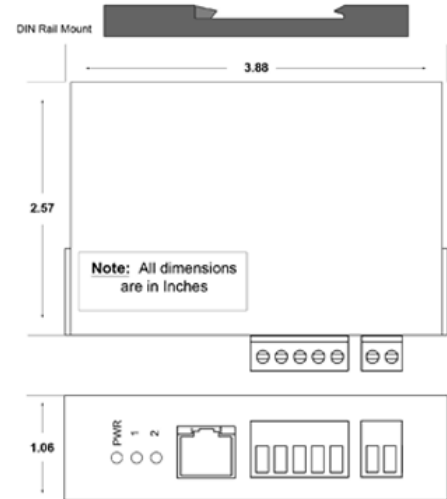
When you call, a live person answers the phone. When you talk with sales, you will get honest answers and recommendations. When you get support, it is from an engineer who had a hand in the product's development, and support doesn't require a ticket or 24-hour wait.



**A Solution, A Philosophy, the RTA Way.** We understand the long hours spent on a factory floor and the pressure to keep a line running and product flowing. That's how Real Time Automation came to be. You want easy-to-use solutions where the hardest part is to open the box. You need customer support second to none. If you get all that and a fun customer experience all the better. Thirty years later, our mission remains the same: **To move your data where you need it, when you need it, and how you need it.**

Ethernet Tag Client	
PLC Support	ControlLogix, CompactLogix, FlexLogix, MicroLogix, SLCs and PLC5Es
Maximum Number of PLCs Supported	5
Maximum Number of Input/Output Tags or Files per PLC	150
Maximum Number of Bytes per PLC Tag	400
Array Support	Yes, for all data types except strings
Supported Data Types	Usint, Sint, Uint, Int, Uuint, Dint, Real, String, Bit Array 16, Bit Array 32, Bool, and Long
MQTT	
Operation Mode	Generic MQTT, Amazon Web Services (AWS), Microsoft Azure
Max Broker Connections	Up to 3 Generic MQTT Connections, 1 AWS, 1 Azure
Max Data Points Per Connection	1000 Read and 1000 Write Topics
Security	SSL certificate based cloud access
Supported Data Formats	JSON
Data Payload	Topic Name and Value
INCLUDED WITH GATEWAY	
3' power cable with flying leads	5-year hardware warranty
IPSetup software – automatically locates RTA gateway on the network	Unlimited firmware feature upgrades for life
CAT5 crossover cable for direct connection to PC during programming	Complete, unlimited access to our industry leading support staff
Manual	

ELECTRICAL / ENVIRONMENTAL	
DC Input Voltage	12-24 VDC
Maximum Baud Rate	115K baud
Operating Temperature	-40 C to 85 C
Certification	RoHS-Compliant, UL, CUL, CE Approvals
ENCLOSURE / HARDWARE	
Size	3.88" x 2.57" x 1.06"
Weight	5.5 oz
Enclosure Type	Anodized Aluminum
Mounting	Din rail or panel mount
LEDs	Power LED & 2 general purpose LEDs on side
GATEWAY FEATURES & FUNCTIONS	
Alarming	Set <, <=, >, >=, ==, !=, and change-of-state rules on any data moving through the gateway. If alarm rule is triggered an email notification can be sent.
Gateway Security	You can configure up to 9 different users access to diagnostic and configuration screens.
Translation Table	Allows for data manipulation during protocol translation. Scaling and other data format changes can occur in the gateway.
Status and Counters	Protocol specific status, counters, and error messages are accessible within the gateway's diagnostics page. They can also be delivered to a connected device.
Diagnostic Logging Page	Allows users to see and log start up sequences, protocol specific messages & error messages.



**NOT EXACTLY WHAT YOU WERE LOOKING FOR?**  
 Real Time Automation offers a full line of gateway products. Give us a call at 1-800-249-1612. Or, check out a listing at [www.rtautomation.com/products](http://www.rtautomation.com/products). We also offer customizations for unique applications.

CATALOG #	DESCRIPTION
460ETCQT-NN1	Easily and securely connect Allen-Bradley PLCs to cloud applications



Made in the U.S.A.

Always In Stock

Ready to Ship

Expert Support