

Wireless BACnet/IP to Modbus RTU

FEATURES

- Fully configurable Modbus RTU Slave
- Move up to 100 Groups of 512 Contiguous Coils or 512 Contiguous Registers to or from your Modbus RTU Master
- Fully Configurable BACnet/IP Client
- BACnet/IP Supports Device, Binary I/O/V, Analog I/O/V, Multi-State I/O/V, and Character String Value Object Types
- Effortless Browser Based Configuration, no programming software is required
- Simple data translation allows you to manipulate data as it passes between protocols
- Guaranteed Stock
- 5-Year Hardware Warranty

Connect to a Modbus RTU Master to BACnet/IP Servers over Wi-Fi

The 460MRSBC moves data between a Modbus RTU master device and up to 32 BACnet/IP server devices using Wi-Fi IEEE 802.11 b/g/n at 2.4GHz with AES encryption 128-bit.

The 460MRSBC module bundles your BACnet/IP data and makes it available as Modbus RTU data. The module provides complete Modbus RTU slave and BACnet/IP client capability.

How do I use the 460MRSBC-N2EW in my application?

To your Modbus RTU master device, the gateway acts as a Modbus RTU slave. To your BACnet/IP server devices, the gateway acts as a BACnet/IP client.

You can both send data to your BACnet/IP server devices and read current status data. Up to 1200 analog and 1600 binary objects can be mapped into or out of up to 512 contiguous registers and coils in the Modbus RTU master.

Why Use Real Time Automation as a Gateway Supplier?

While there are certainly other companies offering protocol gateways, there is no one who provides the level of support and service that you receive from RTA.

When you call, a live person answers the phone. When you talk with sales, you will get honest answers and recommendations. When you get support, it is from an engineer who had a hand in the product's development, and support doesn't require a ticket or 24-hour wait.

Try the RTA difference today! Call us at 800-249-1612 or check out our solutions at rtautomation.com



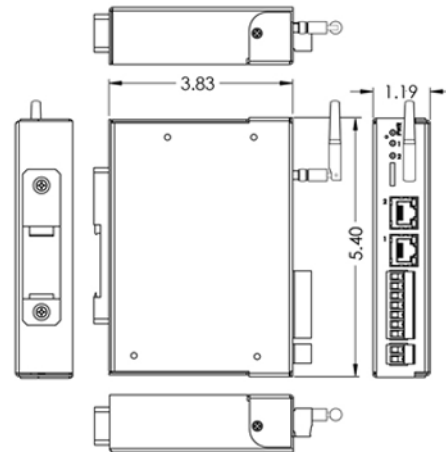
A Solution, A Philosophy, the RTA Way. We understand the long hours spent on a factory floor and the pressure to keep a line running and product flowing. That's how Real Time Automation came to be. You want easy-to-use solutions where the hardest part is to open the box. You need customer support second to none. If you get all that and a fun customer experience, all the better. Thirty years later, our mission remains the same: **to move your data where you need it, when you need it and how you need it.**

Modbus RTU Slave FEATURES	
Operation Mode	Modbus RTU Slave
Function Codes Supported	52
Swapping	Byte and Word Swapping
Maximum Modbus RTU Master Connections	1
Contiguous Data Areas	200 Total - 100 reads & 100 writes
Data Area Limits	512 Contiguous Coils or 512 Contiguous Registers
BACnet/IP Client FEATURES	
Operation Mode	BACnet/IP Client
Supported Object Types	Device, BI/BO/BV, AI/AO/AV, MI/MO/MV, Character String Value
Supported Service Codes	Read Property-A, Read Property Multiple-A, Write Property-A, Write Property Multiple-A, Device Dynamic Binding-A
Maximum Connections	32
Number Read/Write Scan Lines per Device	200 Total - 100 reads & 100 writes
Scan Line Support	Up to 128 Objects
INCLUDED WITH GATEWAY	
3' power cable with flying leads	5-year hardware warranty
IPSetup software – automatically locates RTA gateway on the network	Unlimited firmware feature upgrades for life
CAT5 crossover cable for direct connection to PC during programming	Complete, unlimited access to our industry leading support staff
Manual	

ELECTRICAL / ENVIRONMENTAL	
DC Input Voltage	12-24 VDC
Maximum Baud Rate	115K baud
Operating Temperature	-40 C to 85 C
Certification	RoHS-Compliant, UL, CUL, CE Approvals, Class I Div 2

ENCLOSURE / HARDWARE	
Size	5.40" x 3.83" x 1.19"
Weight	7.6 oz
Enclosure Type	Anodized Aluminum
Mounting	Din rail or panel mount
LEDs	Power LED & 2 general purpose LEDs on side

GATEWAY FEATURES & FUNCTIONS	
Alarming	Set <, <=, >, >=, ==, !=, and change-of-state rules on any data moving through the gateway. If alarm rule is triggered an email notification can be sent.
Gateway Security	You can configure up to 9 different users access to diagnostic and configuration screens.
Translation Table	Allows for data manipulation during protocol translation. Scaling and other data format changes can occur in the gateway.
Status and Counters	Protocol specific status, counters, and error messages are accessible within the gateway's diagnostics page. They can also be delivered to a connected device.
Diagnostic Logging Page	Allows users to see and log start up sequences, protocol specific messages & error messages.



NOT EXACTLY WHAT YOU WERE LOOKING FOR?
 Real Time Automation offers a full line of gateway products. Give us a call at 1-800-249-1612. Or, check out a listing at www.rtautomation.com/products. We also offer customizations for unique applications.

CATALOG #	DESCRIPTION
460MRSBC-N2EW	Connects a Modbus RTU Master with as many as 32 BACnet/IP servers over wireless



Made in the
U.S.A.

Always In
Stock

Ready to
Ship

Expert
Support