

PROFINET IO to BACnet/IP Client

FEATURES

- Fully configurable PROFINET device
- Supports up to 1280 bytes of data in each direction on PROFINET IO
- Fully configurable BACnet/IP server
- BACnet/IP supports device, binary I/O, analog I/O, and character string value object types
- Effortless Browser Based Configuration, no programming software is required
- Simple data translation allows you to manipulate data as it passes between protocols
- 5-Year Hardware Warranty

Get Your PROFINET IO Controller Connected to a BACnet/IP Client

The 460PSBS moves data between a PROFINET IO controller and a BACnet/IP client over Wi-Fi using Wi-Fi IEEE 802.11 b/g/n at 2.4GHz with AES encryption 128-bit. With the 460PSBS, you are making a direct connection between PROFINET IO data and your BACnet/IP building automation system.

How Do I Use the 460PSBS-N2EW in My Application?

BACnet/IP client data will be mapped into 10 PROFINET IO slots. Each slot will be assigned a data type and consist of up to 128 bytes of data. These values will be mapped to and from BACnet analog and binary objects.

It's really that simple. Need to modify your data as it passes from one protocol to the other? No problem. Each data mapping you apply can be modified with up to three mathematic functions. Add 4 to a value, multiply by 4 and divide by 10 with ease.

Why Use Real Time Automation as a Gateway Supplier?

While there are certainly other companies offering protocol gateways, there is no one who provides the level of support and service that you receive from RTA.

When you call, a live person answers the phone. When you talk with sales, you will get honest answers and recommendations. When you get support, it is from an engineer who had a hand in the product's development, and support doesn't require a ticket or 24-hour wait.



Client



460PSBS-N2EW

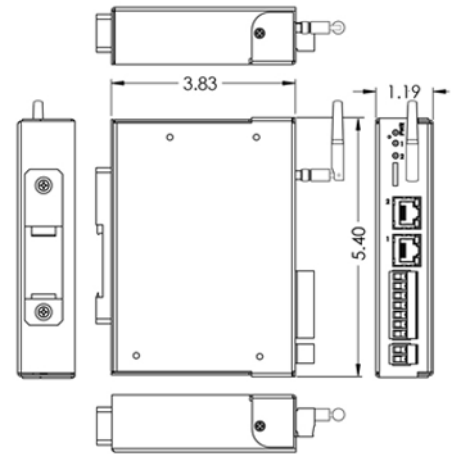


IP Client

A Solution, A Philosophy, the RTA Way. We understand the long hours spent on a factory floor and the pressure to keep a line running and product flowing. That's how Real Time Automation came to be. You want easy-to-use solutions where the hardest part is to open the box. You need customer support second to none. If you get all that and a fun customer experience all the better. Thirty years later, our mission remains the same: **To move your data where you need it, when you need it, and how you need it.**

PROFINET SERVER FEATURES	
Maximum Number of Slots	10 Slots in, 10 Slots out
Slot Data Segment Sizes	8, 16, 32, 64 or 128 Bytes
Each Slot Can be Defined for a Single Data Type of	Int8, int16, int32, int64, UInt8, UInt16, UInt32, UInt64, float, double, binary8, binary16 or binary32, Short String
Total Data Supported in Each Direction	1280 Bytes
Maximum Profinet IO Controller Connections	1
String Support	1 string per slot
BACNET IP SERVER FEATURES	
Operation Mode	BACnet/IP Server
Supported Object Types	Device, Binary I/O, Analog I/O, Character String Value
Supported Service Codes	Read & Read Multiple-B, Write & Write Multiple-B, COV & COV unsolicited-B, Device Dynamic Binding-B, Dynamic Object Binding-B
Maximum COV Subscriptions	2800
Analog Objects Supported	1200 Input and 1200 Output
Binary Objects Supported	1600 Input and 1600 Output
INCLUDED WITH GATEWAY	
3' power cable with flying leads	5-year hardware warranty
IPSetup software – automatically locates RTA gateway on the network	Unlimited firmware feature upgrades for life
CAT5 crossover cable for direct connection to PC during programming	Complete, unlimited access to our industry leading support staff
Manual	

ELECTRICAL / ENVIRONMENTAL	
DC Input Voltage	12-24 VDC
Maximum Baud Rate	115K baud
Operating Temperature	-40 C to 85 C
Certification	RoHS-Compliant, UL, CUL, CE Approvals, Class I Div 2
ENCLOSURE / HARDWARE	
Size	5.40" x 3.83" x 1.19"
Weight	7.6 oz
Enclosure Type	Anodized Aluminum
Mounting	Din rail or panel mount
LEDs	Power LED & 2 general purpose LEDs on side



GATEWAY FEATURES & FUNCTIONS	
Alarming	Set <, <=, >, >=, ==, !=, and change-of-state rules on any data moving through the gateway. If alarm rule is triggered an email notification can be sent.
Gateway Security	You can configure up to 9 different users access to diagnostic and configuration screens.
Translation Table	Allows for data manipulation during protocol translation. Scaling and other data format changes can occur in the gateway.
Status and Counters	Protocol specific status, counters, and error messages are accessible within the gateway's diagnostics page. They can also be delivered to a connected device.
Diagnostic Logging Page	Allows users to see and log start up sequences, protocol specific messages & error messages.

NOT EXACTLY WHAT YOU WERE LOOKING FOR?
 Real Time Automation offers a full line of gateway products. Give us a call at 1-800-249-1612. Or, check out a listing at www.rtautomation.com/products. We also offer customizations for unique applications.

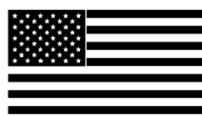
CATALOG #	DESCRIPTION
460PSBS-N2EW	Connects a PROFINET IO controller with a BACnet/IP client



ALWAYS IN STOCK



READY TO SHIP



MADE IN THE USA



EXPERT SUPPORT



5-YEAR WARRANTY



EMPLOYEE OWNED